

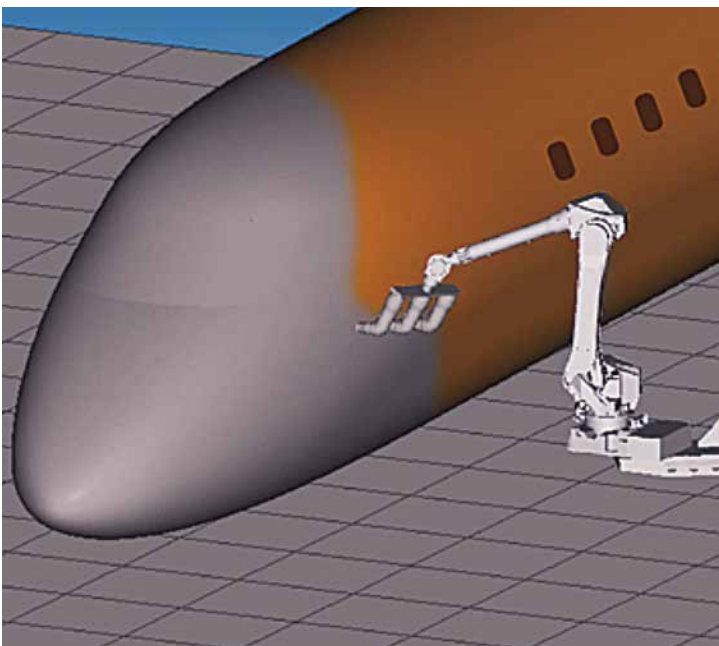
FANUC Robot P-350iA/45



FEATURES

- The FANUC Robot P-350iA/45 is a heavy payload paint robot with a 45kg payload capacity.
- It can be used in Zone 1 hazardous areas due to its high Equipment Protection Level Gb rating.
- Its heavy payload capacity, the largest of any explosion protected robot, makes the FANUC Robot P-350iA/45 ideally suited for a variety of large size painting tool equipping multiple applicators.
- The explosion protected purged motor box (option) simplifies the engineering of explosion protected robot peripherals such as rails or fixture rotators.
- Offline programming with FANUC's process focused PaintPro Software in ROBOGUIDE (option) drastically reduces programming time - saving time and engineering costs.

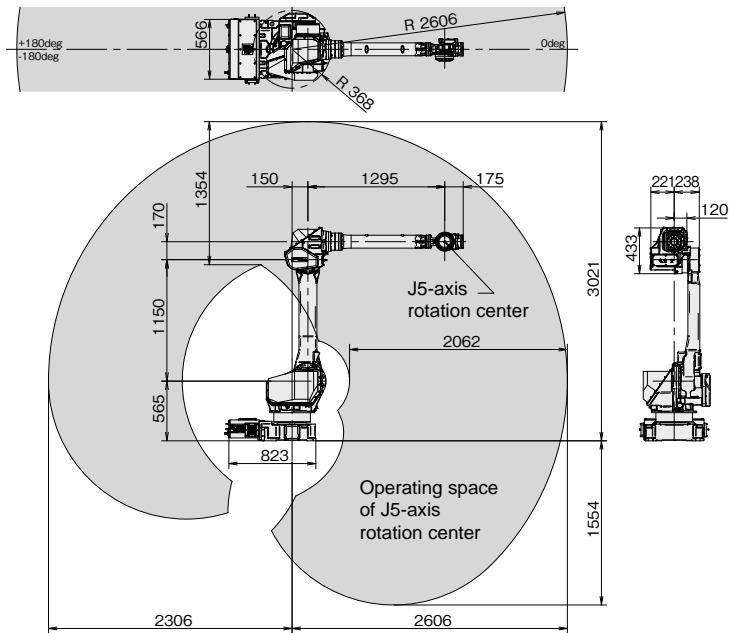
Application Example



Aircraft fuselage painting



Furniture parts painting



Specifications

Model		P-350iA/45	
Type		Articulated Type	
Controlled axes		6 axes (J1,J2,J3,J4,J5,J6)	
Reach		2606 mm	
Installation Note 1)		Floor, Upside-down, Wall, Angle mount	
Motion range (Maximum speed) Note 2)	J1 axis rotation	360° (180°/s)	6.28 rad (3.14 rad/s)
	J2 axis rotation	225° (180°/s)	3.93 rad (3.14 rad/s)
	J3 axis rotation	440° (180°/s)	7.68 rad (3.14 rad/s)
	J4 axis wrist rotation	800° (250°/s)	13.96 rad (4.36 rad/s)
	J5 axis wrist swing	250° (250°/s)	4.36 rad (4.36 rad/s)
	J6 axis wrist rotation	800° (360°/s)	13.96 rad (6.28 rad/s)
Max. load capacity at wrist		45 kg	
Max. load capacity on J3 casing		15 kg	
Allowable load moment at wrist	J4 axis	206 N·m 21 kgf·m	
	J5 axis	206 N·m 21 kgf·m	
	J6 axis	127 N·m 13 kgf·m	
Allowable load inertia at wrist	J4 axis	28 kg·m ² 286 kgf·cm·s ²	
	J5 axis	28 kg·m ² 286 kgf·cm·s ²	
	J6 axis	20 kg·m ² 204 kgf·cm·s ²	
Drive method		Electric servo drive by AC servo motor	
Repeatability		± 0.06 mm	
Mass Note 3)		590 kg	
Explosion protection rating		pxb ib IIB T4 Gb (Gas) (Japan) Class I, II, III Div. I Group C, D, E, F, G T4 (Gas, Dust) (US) II 2 G c Ex ib px IIB T4 Gb (Gas) (EU) II 2 D c Ex ib p IIIB T135°C Db (Dust) (EU)	
Installation environment		Ambient temperature : 0 – 45°C Ambient humidity : Normally 75 %RH or less (No dew, nor frost allowed) Short term Max. 95 %RH or less (within one month) Vibration acceleration : 4.9 m/s ² (0.5G) or less	

Note 1) In case of the angle mounting, J1 and J2 motion range are restricted.

Note 2) During short distance motions, the axis speed may not reach the maximum value stated.

Note 3) Without controller.

FANUC CORPORATION

Headquarters Oshino-mura, Yamanashi 401-0597, Japan

Phone: 81-555-84-5555 Fax: 81-555-84-5512 <https://www.fanuc.co.jp>

● Overseas Affiliated Companies

- FANUC America Corporation
- FANUC Europe Corporation, S.A.
- SHANGHAI-FANUC Robotics CO., LTD.
- KOREA FANUC CORPORATION
- TAIWAN FANUC CORPORATION
- FANUC INDIA PRIVATE LIMITED
- FANUC SINGAPORE PTE. LTD.
- FANUC THAI LIMITED
- FANUC MECHATRONICS (MALAYSIA) SDN. BHD.
- PT. FANUC INDONESIA
- FANUC OCEANIA PTY. LIMITED
- FANUC SOUTH AFRICA (PROPRIETARY) LIMITED

- 3900 West Hamlin Road, Rochester Hills, MI 48309-3253, U.S.A.
- 7, rue Benedikt Zender, L-6468 Echternach, Grand-Duché de Luxembourg
- No. 1500 Fulian Road, Baoshan Area, Shanghai, China
- 101, Wanam-ro(st), Seongsan-gu, Changwon-si, Gyeongsangnam-do, 642-290 Republic of Korea
- No.10, 16th Road, Taichung Industrial Park, Taichung, Taiwan
- 41-A, Electronics City, Bangalore, 560 100, India
- No.1 Teban Gardens Crescent, Singapore 608919, Singapore
- 1301 Pattanakarn Road, Kwaeng Suanluang, Khet Suanluang, Bangkok 10250 Thailand
- No.32, Jalan Pengacara U1/48, Temasya Industrial Park, Section U1, Glenmarie, 40150 Shah Alam, Selangor Darul Ehsan, Malaysia
- JL. Boulevard Bukit Gading Raya Blok R, Jakarta 14240 Indonesia
- 10 Healey Circuit, Huntingwood, NSW 2148, Australia
- 17 Loper Ave. Aeroport Industrial Ests. Spartan Ext.2 P.O.Box 219, Isando 1600, Republic of South Africa

- Phone: 1-248-377-7000 Fax: 1-855-774-7051
- Phone: 352-727777-1 Fax: 352-727777-403
- Phone: 86-21-5032-7700 Fax: 86-21-5032-7711
- Phone: 82-55-278-1200 Fax: 82-55-284-9826
- Phone: 886-4-2359-0522 Fax: 886-4-2359-0771
- Phone: 91-80-2852-0057 Fax: 91-80-2852-0051
- Phone: 65-6567-8566 Fax: 65-6566-5937
- Phone: 66-2-714-6111 Fax: 66-2-714-6120
- Phone: 60-3-7628-0110 Fax: 60-3-7628-0220
- Phone: 62-21-4584-7285 Fax: 62-21-4584-7288
- Phone: 61-2-8822-4600 Fax: 61-2-8822-4666
- Phone: 27-11-392-3610 Fax: 27-11-392-3615

● All specifications are subject to change without notice.
 ● No part of this catalog may be reproduced in any form.
 ● The products in this catalog are controlled based on Japan's "Foreign Exchange and Foreign Trade Law". The export from Japan may be subject to an export license by the government of Japan. Further, re-export to another country may be subject to the license of the government of the country from where the product is re-exported. Furthermore, the product may also be controlled by re-export regulations of the United States government. Should you wish to export or re-export these products, please contact FANUC for advice.